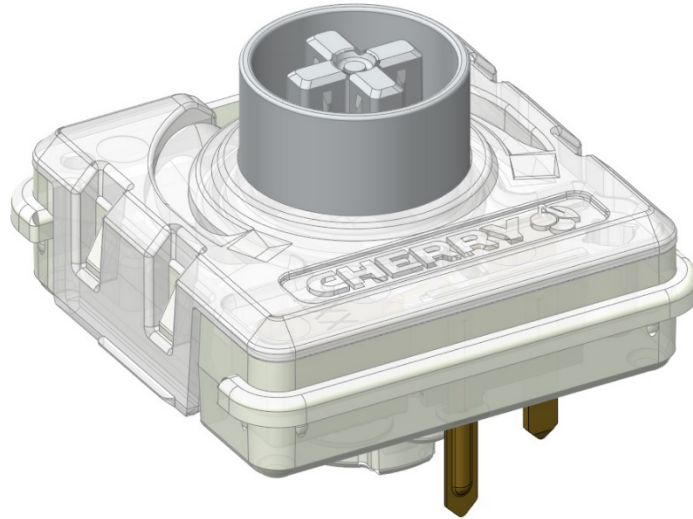


CHERRY MX LOW PROFILE RGB SPEED

MX1B-52NA



High-precision CHERRY MX switch engineered for low profile gaming keyboards

Key benefits:

- Engineered and Made in Germany
- CHERRY MX LOW PROFILE RGB SPEED switch: Without pressure point, linear light actuation switching function with a defined force of approx. 45cN without contact feedback
- Designed for use with SMD LEDs (RGB or single colour)
- More consistent lighting throughout the keycap due to optimized switch design
- Option to use all 16.8 million RGB colours in high luminosity (scope of supply does not include LED)
- SMD LEDs directly mounted on the circuit board for cost-efficient, fully automated production
- High-precision mechanical switch with low operating point tolerance.
- World exclusive CHERRY Gold Crosspoint technology
- Short bounce time for high switching frequency (such as for fast typing)
- Self-cleaning contacts
- Switch resistant to dust and dirt
- Over 50 million keystrokes with no loss of quality guaranteed

Technical Data:

- | | |
|------------------------------|---|
| • Protection class: | IP40 |
| • Operation characteristics: | LOW PROFILE, linear |
| • Switching voltage: | 12V AC/DC max. |
| • Dielectric strength: | 500V / 50Hz |
| • Durability: | > 50 million actuations |
| • Contact configuration: | Single-pole contact |
| • Actuator travel: | 3.2 ± 0.25 mm |
| • Pretravel: | 1.0 ± 0.3 mm |
| • Initial force: | 30 cN min. |
| • Actuation force: | 45 ± 15 cN |
| • Bounce time: | typically 1ms |
| • Minimum lead spacing: | 16 mm |
| • Lighting: | SMD LED, mounted directly on the circuit board |
| • Insulation materials: | Thermoplastics |
| • Spring: | Stainless steel |
| • Contacts: | High-quality gold alloy |
| • Storage Temperature: | 5°C to 40°C |
| • Operating Temperature: | -40°C to 70°C |
| • Humidity: | Storage: average <50% max. 3 months / 75% max. 15 days, operation: 5% to 95% without condensation |